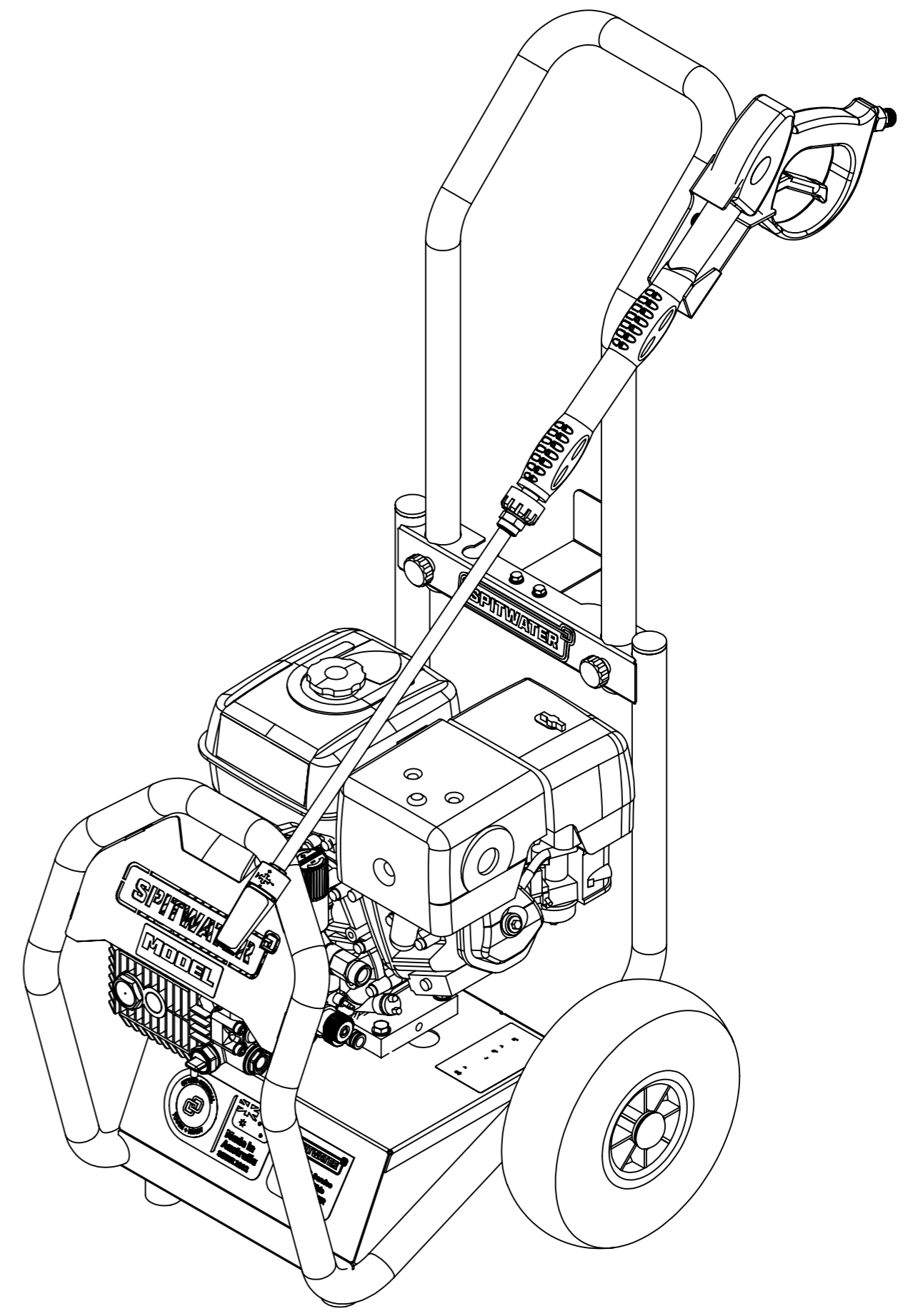


ITEM NO.	PART NUMBER	DESCRIPTION	QTY.
1	74001	KART COMPLETE - SMALL PETROL	1
2	47045	300-4 PNEUMATIC WHEEL-BLACK PLASTIC HUB	2
3	47044	HUB CAP mm.20	2
4	70200-P	STANDARD FLAT WASHER 20.50 x 35 x 3	2
5	48894-G	ANTI VIBRATION STUD MOUNT 35x25mm RUBBER M8X1	2
6	70051-F	NYLOCK NUT M8 x 1.25 - 6	4
7	70200-H	FLAT WASHER 8.50 x 17x 1.40	8
8	70106-X	SCREW HEX HEAD M8 x 1.25 x 40 - 4.6	4
9	48328-C	PETROL ENGINE 5.5HP HONDA GP160 HQX3	1
10	IPP142	TT1511 DX H/SHAFT3/4+F/PETROL+VALVE M22	1
11	49237	REDUCER 1/2M BSPP - 3/4M BSPP	1
12	70559-A	TAIL PIECE COMPLETE 3/4F BSPP - SNAP ON W/FILTER	1
13	I96751400	WASHER 21.5X27X1.5	1
14	47104	GAUGE BACK ATTACH 50mm 250bar 1/4"M BSPT	1
15	47400	THERMAL VALVE 10bar 63° C 3/8"M BSPP	1
16	48446	PLASTIC PLUG 32mm	2
17	IPP142 SCREW	SCREW - COMES WITH PUMP	4
18	IPP142 WASHER	WASHER - COMES WITH PUMP	4
19	20240	SERIAL NUMBER LABEL	1
20	20232-A	100x60 Blank Crystal Clear 76/2500	1
21	48636	PACKAGING 11-140P 8-140P	1
22	48636-A	PACKAGING 11-140P 8-140P	1
23	20242	PACKAGING LABEL	2
24	20273	HONDA AUSTRALIA APPROVED - FUEL CAP STICKER	1
25	44539-G.1	DETERGENT HOSE	1
26	46239	SPRING HOSE CLAMP 9.3/9.9	1
27	46241	2 STEP PLASTIC DET FILTER 1/4" HOSE BARB	1
28	74260	HANDLE COMPLETE - SMALL KART	1
29	74403	GUN HOLDER COMPLETE	1
30	74404	HOSE HOLDER COMPLETE	1
31	46236-A	FASTENING KNOB	2
32	70104-N	SCREW HEXAGONAL HEAD M6 x 1.00 x 25 -4.8	2
33	70104-I	SCREW HEX HEAD M6 x 1.00 x 16 -4.8	2
34	70200-E	FLAT WASHER 6.50 x 13 x 1.20	4
35	70210-D	INTERNAL TOOTH LOCK WASHER M 6	4
36	20200	OTTICO ORIGINAL/AUSTRALIAN MADE LABEL	1
37	20201	CAUTION HOT LABEL 38x38 BLACK/YELLOW	1
38	20205	NEW PARTS & SERVICE LABEL	1
39	20241	MODEL LABEL	1
40	20253	NEW SPITWATER LOGO SMALL	1
41	20272	HONDA AUSTRALIA APPROVED - FUEL CAP STICKER	1
42	20275	HPC WARNING LABEL BLACK ON YELLOW	1
43	M4022105010	MV925+MV70+ARF 30l/min 280bar 160°C	1
44	SWA001	SINGLE LANCE IDROJET 035	1
45	47199-M22-8A	H/P HOSE 8m 3/8"FBSP-M22x1.5	1

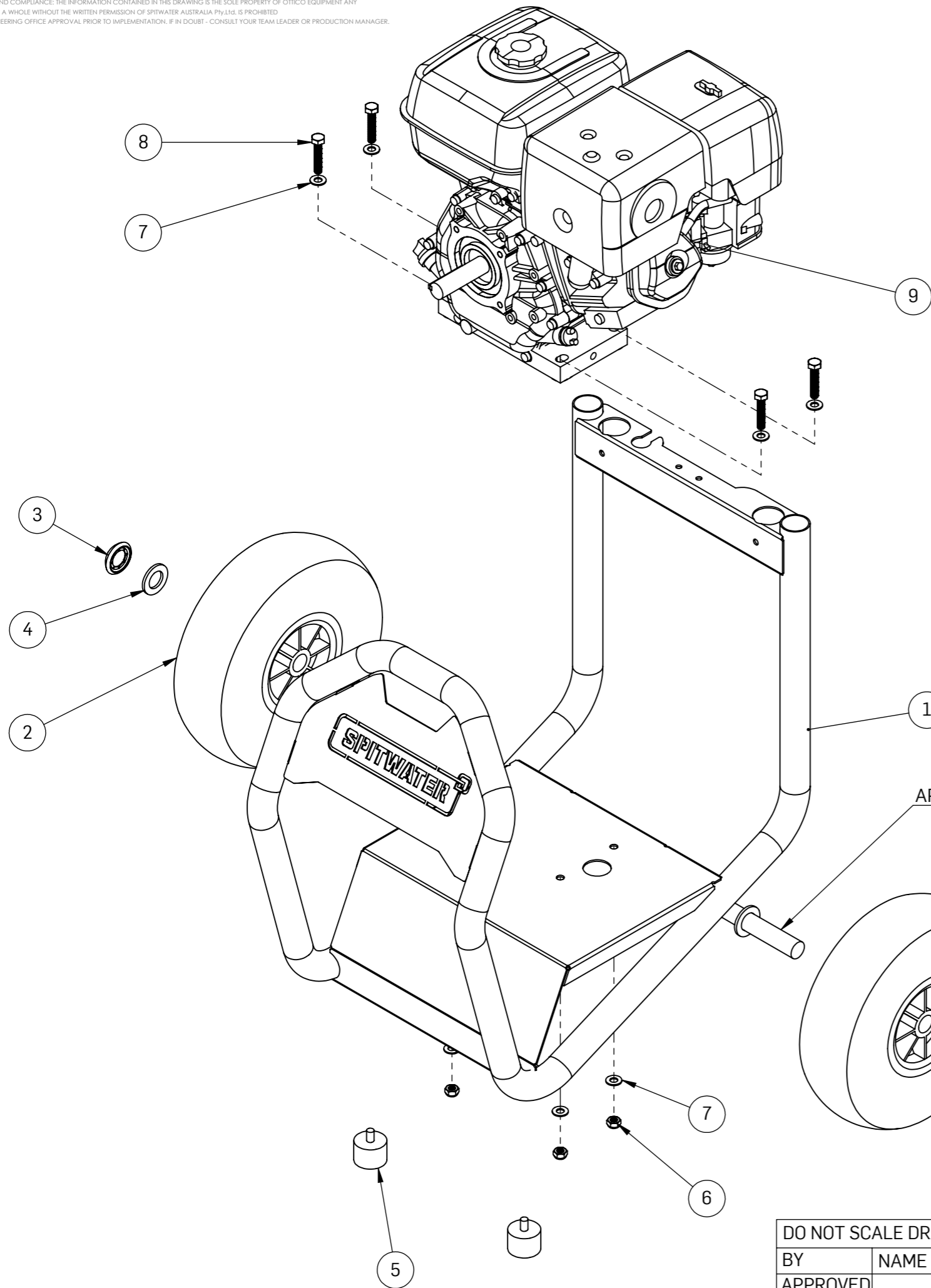


A		Approved release	20/08/2021	
REV.	Serial No:	DESCRIPTION	DATE	APPROVED

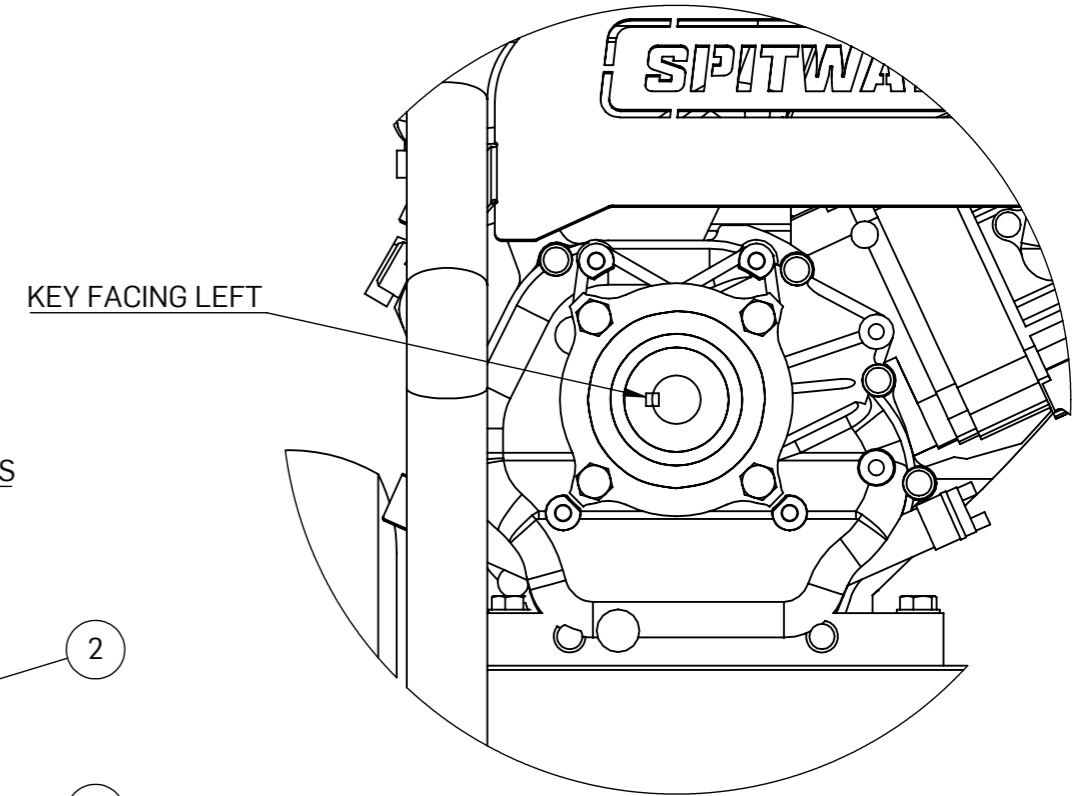
DO NOT SCALE DRAWING		
BY	NAME	DATE
APPROVED		
CHECKED		
DRAWN	Harry	25/08/2021

SPITWATER AUSTRALIA PTY LTD T/AS OTTICO EQUIPMENT  
953 METRY STREET, ALBURY, NSW 2640, AUS  
02 60257255, enquiries@spitwater.com  
www.spitwater.com.au

DESCRIPTION:	HC11-140P 11L/m 140Bar HONDA	PART NO:	SCW006
MATERIAL:		Rev:	A
FINISH:		QTY:	
WEIGHT:	35Kg	SHEET	1 OF 4



ITEM NO.	PART NUMBER	DESCRIPTION	QTY.
1	74001	KART COMPLETE - SMALL PETROL	1
2	47045	300-4 PNEUMATIC WHEEL-BLACK PLASTIC HUB	2
3	47044	HUB CAP mm.20	2
4	70200-P	STANDARD FLAT WASHER 20.50 x 35 x 3	2
5	48894-G	ANTI VIBRATION STUD MOUNT 35x25mm RUBBER M8X1	2
6	70051-F	NYLOCK NUT M8 x 1.25 - 6	4
7	70200-H	FLAT WASHER 8.50 x 17x 1.40	8
8	70106-X	SCREW HEX HEAD M8 x 1.25 x 40 - 4.6	4
9	48328-C	PETROL ENGINE 5.5HP HONDA GP160 HQX3	1



DO NOT SCALE DRAWING		
BY	NAME	DATE
APPROVED		
CHECKED		
DRAWN	Harry	25/08/2021

**OTTICO EQUIPMENT**  
 SPITWATER AUSTRALIA PTY LTD T/AS OTTICO EQUIPMENT  
 953 METRY STREET, ALBURY, NSW 2640, AUS  
 02 60257255, enquiries@spitwater.com  
 www.spitwater.com.au

DESCRIPTION: HC11-140P 11L/m 140Bar HONDA	PART NO: SCW006
MATERIAL:	Rev: A
FINISH:	QTY:
WEIGHT: 35Kg	SHEET 2 OF 4

B

ADD 0.36L OF 10W-30

KEYWAY FACING RIGHT

CHECK PUMP OIL LEVEL, USE 15W-40 IF REQUIRED

AT TESTING

INFLATE TYRES TO 20PSI

SUB ASSEMBLY

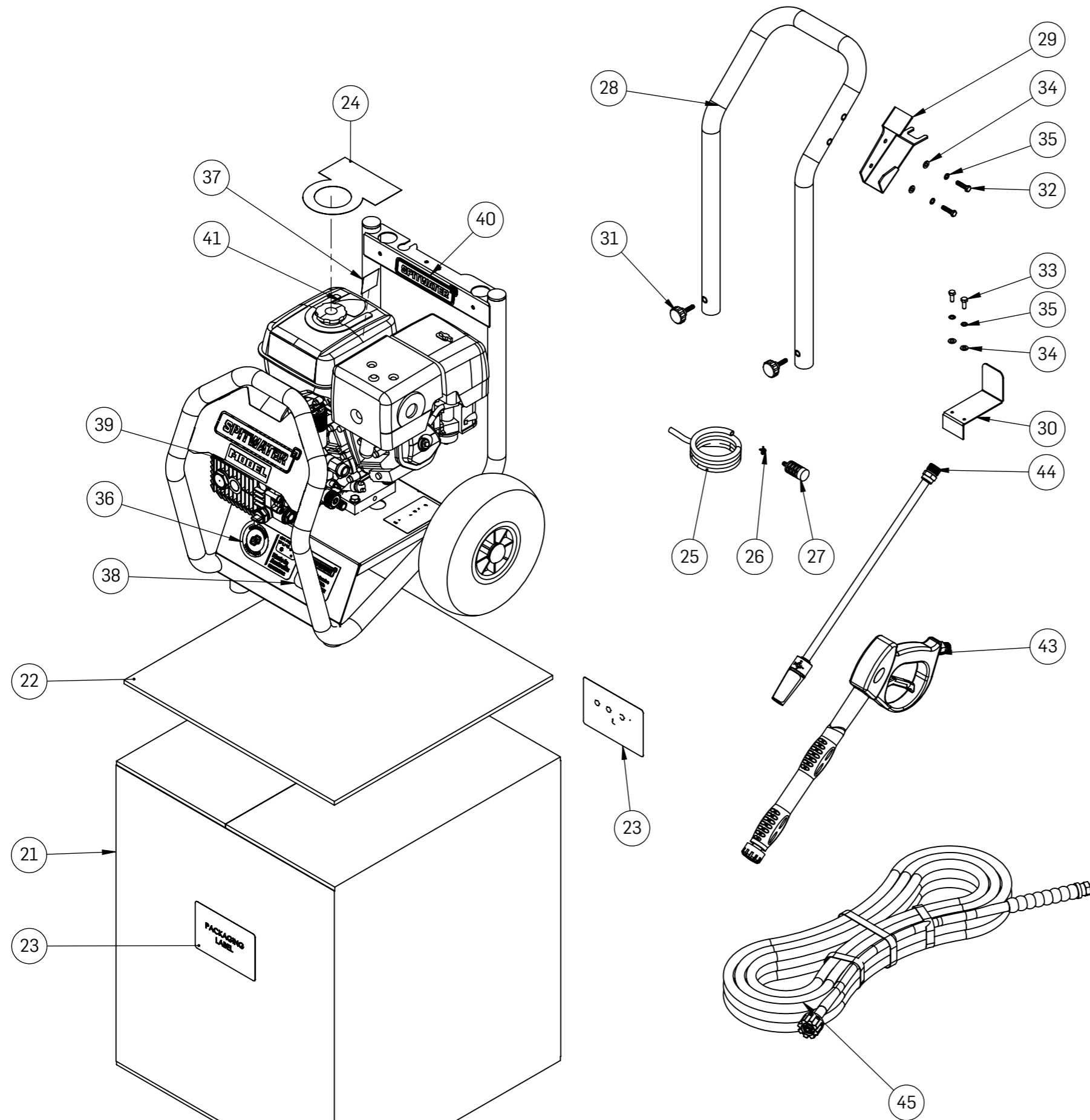
ITEM NO.	PART NUMBER	DESCRIPTION	QTY.
1	74001	KART COMPLETE - SMALL PETROL	1
2	47045	300-4 PNEUMATIC WHEEL-BLACK PLASTIC HUB	2
3	47044	HUB CAP mm.20	2
4	70200-P	STANDARD FLAT WASHER 20.50 x 35 x 3	2
5	48894-G	ANTI VIBRATION STUD MOUNT 35x25mm RUBBER M8X1	2
6	70051-F	NYLOCK NUT M8 x 1.25 - 6	4
7	70200-H	FLAT WASHER 8.50 x 17x 1.40	8
8	70106-X	SCREW HEX HEAD M8 x 1.25 x 40 - 4.6	4
9	48328-C	PETROL ENGINE 5.5HP HONDA GP160 HQX3	1
10	IPP142	TT1511 DX H/SHAFT3/4+F/PETROL+VALVE M22	1
11	49237	REDUCER 1/2M BSPP - 3/4M BSPP	1
12	70559-A	TAIL PIECE COMPLETE 3/4F BSPP - SNAP ON W/FILTER	1
13	I96751400	WASHER 21.5X27X1.5	1
14	47104	GAUGE BACK ATTACH 50mm 250bar 1/4"M BSPT	1
15	47400	THERMAL VALVE 10bar 63° C 3/8"M BSPP	1
16	48446	PLASTIC PLUG 32mm	2
17	IPP142 SCREW	SCREW - COMES WITH PUMP	4
18	IPP142 WASHER	WASHER - COMES WITH PUMP	4
19	20240	SERIAL NUMBER LABEL	1
20	20232-A	100x60 Blank Crystal Clear 76/2500	1

DO NOT SCALE DRAWING		
BY	NAME	DATE
APPROVED		
CHECKED		
DRAWN	Harry	25/08/2021

**OTTICO EQUIPMENT**  
 SPITWATER AUSTRALIA PTY LTD T/AS OTTICO EQUIPMENT  
 953 METRY STREET, ALBURY, NSW 2640, AUS  
 02 60257255, enquiries@spitwater.com  
 www.spitwater.com.au

DESCRIPTION: HC11-140P 11L/m 140Bar HONDA	PART NO: SCW006
MATERIAL:	Rev: A
FINISH:	QTY:
WEIGHT: 35Kg	SHEET 3 OF 4

ITEM NO.	PART NUMBER	DESCRIPTION	QTY.
21	48636	PACKAGING 11-140P 8-140P	1
22	48636-A	PACKAGING 11-140P 8-140P	1
23	20242	PACKAGING LABEL	2
24	20273	HONDA AUSTRALIA APPROVED - FUEL CAP STICKER	1
25	44539-G.1	DETERGENT HOSE	1
26	46239	SPRING HOSE CLAMP 9.3/9.9	1
27	46241	2 STEP PLASTIC DET FILTER 1/4" HOSE BARB	1
28	74260	HANDLE COMPLETE - SMALL KART	1
29	74403	GUN HOLDER COMPLETE	1
30	74404	HOSE HOLDER COMPLETE	1
31	46236-A	FASTENING KNOB	2
32	70104-N	SCREW HEXAGONAL HEAD M6 x 1.00 x 25 -4.8	2
33	70104-I	SCREW HEX HEAD M6 x 1.00 x 16 -4.8	2
34	70200-E	FLAT WASHER 6.50 x 13 x 1.20	4
35	70210-D	INTERNAL TOOTH LOCK WASHER M 6	4
36	20200	OTTICO ORIGINAL/AUSTRALIAN MADE LABEL	1
37	20201	CAUTION HOT LABEL 38x38 BLACK/YELLOW	1
38	20205	NEW PARTS & SERVICE LABEL	1
39	20241	MODEL LABEL	1
40	20253	NEW SPITWATER LOGO SMALL	1
41	20272	HONDA AUSTRALIA APPROVED - FUEL CAP STICKER	1
42	20275	HPC WARNING LABEL BLACK ON YELLOW	1
43	M4022105010	MV925+MV70+ARF 30l/min 280bar 160°C	1
44	SWA001	SINGLE LANCE IDROJET 035	1
45	47199-M22-8A	H/P HOSE 8m 3/8"FBSP-M22x1.5	1



DO NOT SCALE DRAWING			 <p>SPITWATER AUSTRALIA PTY LTD T/AS OTTICO EQUIPMENT 953 METRY STREET, ALBURY, NSW 2640, AUS 02 60257255, enquiries@spitwater.com www.spitwater.com.au</p>	DESCRIPTION: HC11-140P 11L/m 140Bar HONDA	PART NO: SCW006
BY	NAME	DATE		MATERIAL:	Rev: A
APPROVED				FINISH:	QTY:
CHECKED				WEIGHT: 35Kg	SHEET 4 OF 4
DRAWN	Harry	25/08/2021			